

Lounge

The lounge concept is ideal for locations where customers have the time to relax underneath an elegant parasol. The cushions can be individually designed to suit the customer's needs. Images can be printed on both the canvas and the cushions in order to produce a truly striking centrepiece for both indoor and outdoor settings.

Seating cover

Each sofa segment can be placed to accommodate the customer's desired layout. The sofa canvas is made out of cotton and will be covered with different MDT-canvases depending on the location and printing preferences.

Seating frame

The sofa structure is made out of Ecolene, a polyethylene synthetic wicker. It is insensitive to temperature differences and free from cracking, peeling, splintering and corrosion. It can withstand UV-radiation, heat, moisture and mould. It is 7 millimeter thick. The frame colour is coffee-brown.

Umbrella-Frame

Umbrella spokes are made of rectangular aluminium sections of 40x20x3 mm. The mast is made of a round aluminium section of 100x3 mm in diameter. The aluminium telescope has section dimensions of 80x3 mm. The top plate and the crown are made with U-profiles out of aluminium to house the struts. All parts are screwed together and the frame is powder coated (Polyester powder ca. 80 µ).

Umbrella-Cover

The cover is made up of individual segments which are screwed to the frame by Sterling Steel hooks at the top and by rust-proof screws at the ends of the spokes. The cover is replaceable and is fade, light and water resistant. It is designed to withstand all weather conditions.

MDT-tex® 200

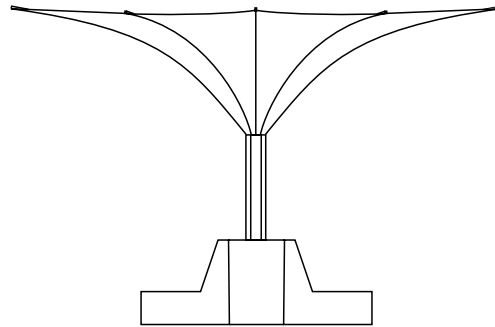
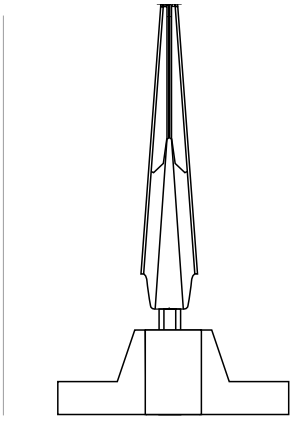
(100% polyester fabric with acrylic coating). Mass ca. 220 g/m², water column pressure over 500 mm

MDT-tex® 200FR

(100% polyester dual-sided acrylic coating). Mass ca. 260 g/m², water column pressure over 700 mm, flame retardant up to DIN U102-B1, California T-19.

Umbrella-accessories

- _ Various lighting options
- _ Transport case
- _ Protective sleeve with telescopic pole
- _ Electric engine for opening and closing (also available with wind-watchers)
- _ Top cover (net or heater)



Lounge



Corner



Seat



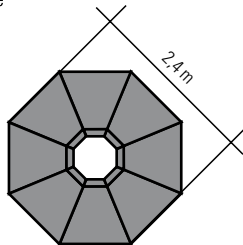
Enclosing Sofa

Technical details

Width (cm)	85	85	40	65
Length (cm)	100	100	60	100
Height (cm)	80	30	30	30
Height with cushion (cm)	42 (seat)	42	42	42
Weight without cushion (kg)	9	7,5	6	7,5
Weight with cushion (kg)	11	9,5	6,5	10

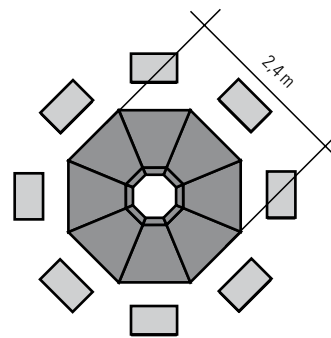
Basic Variation:

8 pc. Lounge



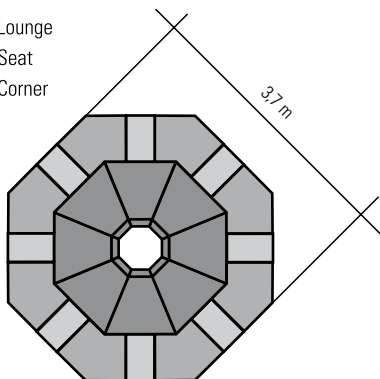
Variation 1:

8 pc. Lounge
8 pc. Seat



Variation 2:

8 pc. Lounge
8 pc. Seat
8 pc. Corner



Variation 3:

8 pc. Lounge
8 pc. Seat
16 pc. Corner
8 pc. Enclosing sofa

