



Frame

Umbrella spokes are made of rectangular aluminium sections of 40x20x2 - 50x30x3 mm. The mast is made of an oval aluminium section of diameter 140 mm in one plane and 100mm in the other. The aluminium telescope has section dimensions of 70x3 mm. The top plate and the crown are made with U profiles out of aluminium to house the struts. All parts are screwed together and the frame is powder coated (Polyester powder ca. 80 µ). All moving parts are made out of steel.

- _ White RAL 9010 (standard)
- _ Black RAL 9005
- _ Silver RAL 9006

Mechanics

The mast gears are maintenance-free and spindle. The canvas is opened and closed using a hand crank.

Ground Fixings

- _ Rotating adaptor and ground tube fixed in cement
- _ Rotating adaptor and ground tube secured by core drilling and hammer-pin

Cover

The cover is made up of individual segments which are screwed to the frame by Sterling Steel hooks at the top and by rust-proof screws at the ends of the spokes. The cover is replaceable and is fade, light and water resistant. It is designed to withstand all weather conditions and can be ordered with valances.

MDT-tex® 200

(100% polyester fabric with acrylic coating). Mass ca. 220 g/m², water column pressure over 500mm

MDT-tex® 200FR

(100% polyester dual-sided acrylic coating). Mass ca. 260 g/m², water column pressure over 700 mm, flame retardant up to DIN U102-B1, California T-19.

MDT-tex® 300FR

(100% acrylic fabric). Mass ca. 300 g/m², water column pressure over 350 mm.

Print

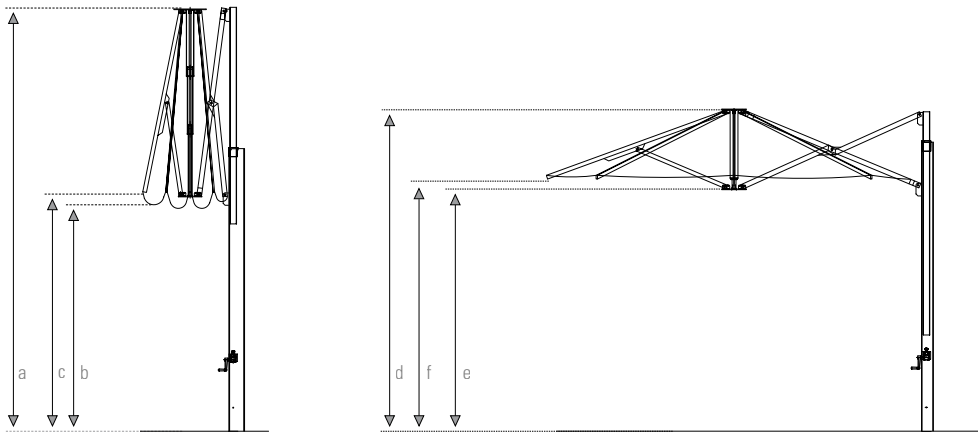
- _ Digital print
- _ Screen print
- _ Dispersion dye print

Advantages

- _ Opened and closed by hand
- _ All materials are resistant to the effects of water corrosion
- _ All parts attached by screws can be easily replaced
- _ Mechanics include a telescopic pole which allows the umbrella to open or close over the table
- _ Maintenance-free gear box
- _ Possible with lights and heating
- _ Safely handles winds up to 60 km/h (with the proper bases)
- _ All high stress points reinforced with high grade steel
- _ All mechanical and electric construction units are checked by TÜV Germany

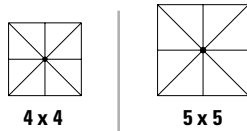
Accessories

- _ Transport case
- _ Protective sleeve with a telescopic pole



Dimensions are in meters

*all measurements are rounded



4 x 4

5 x 5

Mass

	4 x 4	5 x 5
Umbrella with packaging (kg)	120	135
Umbrella without packaging (kg)	110	125
Frame (kg)	105	119
Cover (kg)	5	6

Dimensions of closed umbrella

	4 x 4	5 x 5
a: Closed height (cm)	450	495
b: Distance from valance to ground (cm)	127	107
c: Distance from spokes to ground (cm)	160	140

Dimensions of open umbrella

	4 x 4	5 x 5
d: Opened height (cm)	330	340
e: Distance from valance to ground (cm)	218	207
f: Distance from spokes to ground (cm)	251	240

Packaging dimensions

	4 x 4	5 x 5
Total length (cm)	450	450
Dimensions of cardboard packaging (cm)	45x45x450	2x 45x45x450
Length of mast extruding from box (cm)	0	0

Accessories

	4 x 4	5 x 5
Rotatable adaptor	Type 100/80	Type 100/80
Frame base (*1)	Type 100/80	Type 100/80
Protective sleeve size	L	L
Lighting	4,8W	4,8W
Mast profile with cabling (*2)	x	x

(*1)



(*2)

